

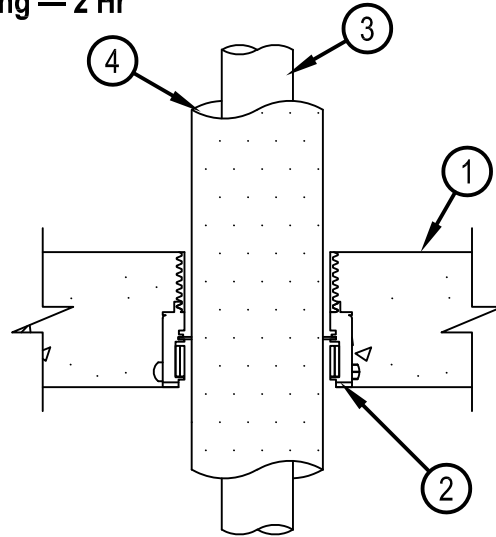
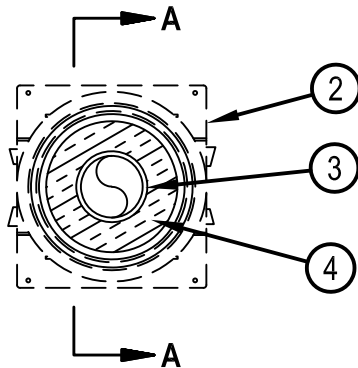


Classified by
Underwriters Laboratories, Inc.
to UL 1479

System No. F-A-2205

F Rating — 2 Hr
T Rating — 2 Hr

FA 2205



SECTION A-A

1. Floor Assembly — Min 4-1/2 in. (114 mm) thick reinforced lightweight or normal weight (100-150 pcf or 1600-2400 kg/m³) concrete floor
2. Firestop Device* — Cast in place firestop device permanently embedded during concrete placement or grouted in concrete assembly in accordance with accompanying installation instructions. The device may extend a max 2 in. (51 mm) above the top surface of the concrete. Device size is dependent on diam of penetrant and pipe covering as specified in Table in Item 4 below.
HILTI CONSTRUCTION CHEMICALS, DIV OF HILTI INC — CP 680-P 3", CP 680-P 4", CP 680-P 6", CP 680-PX 3"
3. Through Penetrants — One nonmetallic pipe to be centered within the firestop system. Pipe to be rigidly supported on both sides of floor assembly. The following types and sizes of nonmetallic pipes may be used:
 - A. Polyvinyl Chloride (PVC) Pipe — Nom 2 in. (51 mm) diam (or smaller) Schedule 40 solid or cellular core PVC pipe for use in closed (process or supply) or vented (drain, waste or vent) piping systems.
 - B. Chlorinated Polyvinyl Chloride (CPVC) Pipe — Nom 2 in. (51 mm) diam (or smaller) SDR 13.5 CPVC pipe for use in closed (process or supply) piping systems.
 - C. Polypropylene Random (PP-R) Pipe — Nom 2 in. (63 mm OD) diam (or smaller) SDR 7.4 Aquatherm Green pipe for use in closed (process or supply) piping systems.
 - D. Cross Linked Polyethylene (PEX) Tubing — Nom 2 in. (102 mm) diam (or smaller) SDR 9 Uponor AquaPEX or Wirsbo hePEX PEX tubing for use in closed (process or supply) piping systems.
4. Pipe and Equipment Covering Materials* — Nom 1 in. (25 mm), 1-1/2 in. (38 mm) or 2 in. (51mm) thick hollow cylindrical heavy density (min 3.5 pcf) glass fiber units jacketed on the outside with an all service jacket. Longitudinal joints sealed with metal fasteners or factory-applied self-sealing lap tape. Transverse joints secured with metal fasteners or with butt tape supplied with the product.
See Pipe and Equipment Covering — Materials (BRGU) category in the Building Materials Directory for names of manufacturers. Any pipe covering material meeting the above specifications and bearing the UL Classification Marking with a Flame Spread Index of 25 or less and a Smoke Developed Index of 50 or less may be used.

Nom Pipe Diameter	Pipe Covering Thickness	Firestop Device
1 in. (25 mm)	1 in. (25 mm)	CP 680-P 3" CP 680-PX 3"
2 in. (51 mm)	1 in. (25 mm)	CP 680-P 4"
2 in. (63 mm OD)	2 in. (51 mm)	CP 680-P 6".
2 in. (51 mm)	1-1/2 in. (38 mm)	CP 680-P 6"

* Indicates such products shall bear the UL or cUL Certification Mark for jurisdictions employing the UL or cUL Certification (such as Canada), respectively.



Hilti Firestop Systems

Reproduced by HILTI, Inc. Courtesy of
Underwriters Laboratories, Inc.
November 06, 2017